



Printed Panels

QuietPrint™

acoufelt
making quiet

Product Detail

Product	Printed Panels
Application	Wall and ceiling
Composition	100% polyester
Material	FilaSorb™
Recycled Content	60% min
Dimensions	1220 x 2800mm Custom size available upon request
Thickness	12, 24 & 30mm +/- 10%

Guarantees

Warranty against defects 20 years*
Light fastness warranty 20 years*

*conditions apply



Technical Data

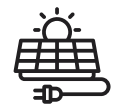
Indoor Air Quality	SCS-EC10.3-2014 v4.0 meeting standard CDPH/EHLB Standard Method v.1.2-2017, ≤ 0.5mg/m ³
Light Fastness	ISO 105-B02, 6-7
Fire Test Method	AS/ISO 9705.1, Group 1 ASTM E84-17a, Class A EN 13501-1: 2018

Sustainability

- Every square meter of FilaSorb™ diverts on average approximately 108 x 600ml PET drinking bottles from landfill
- LBC Red list free
- Phenol & formaldehyde free
- Total VOC's 0.5 mg/m³
- CDPH compliance
- Complies with building standards



Made from 60% min. recycled content



Generated using 40% solar energy



Declare Living Building Challenge compliant



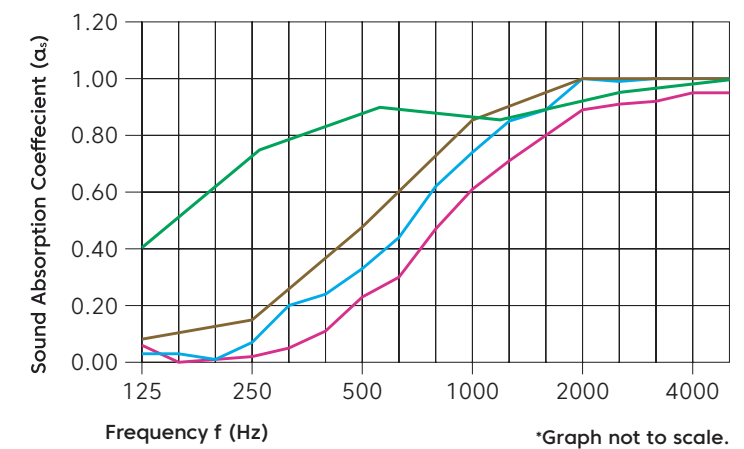
Recyclable at end-of-life



Declare.

Acoustic Performance

Sound Absorption	ASTM C423-09a
	NRC 0.45 (no air gap)
	NRC 0.54 (12mm air gap)
	NRC 0.64 (20mm air gap)
	NRC 0.85 (200mm air gap)

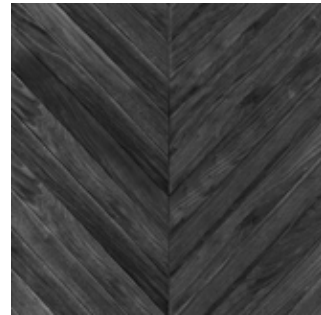


Frequency (Hz)	125	250	500	1000	2000	4000	NRC
α _s no air gap	0.06	0.02	0.23	0.61	0.89	0.95	0.45
α _s 12mm air gap	0.03	0.14	0.33	0.74	1.00	1.00	0.54
α _s 20mm air gap	0.05	0.16	0.48	0.85	1.00	1.00	0.64
α _s 200mm air gap	0.40	0.75	0.90	0.85	0.95	1.00	0.85

Colorways



Chevron Timber Oak



Chevron Timber Black



Plywood



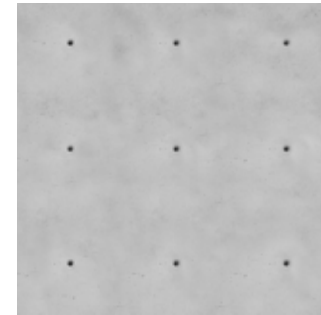
Masonry Brick
Rustic Red



Masonry Brick
White



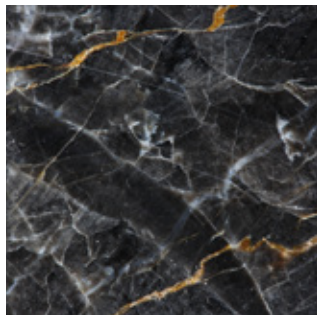
Chevron Fractured



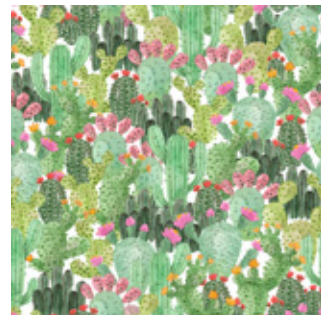
Masonry Concrete
Crater



Masonry Concrete
Speckled



Black Marble



Cactus



Dragon



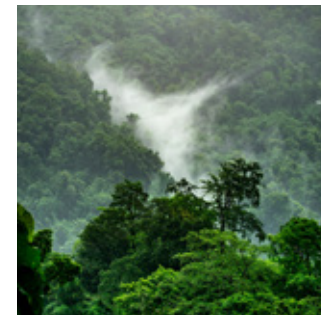
Cement



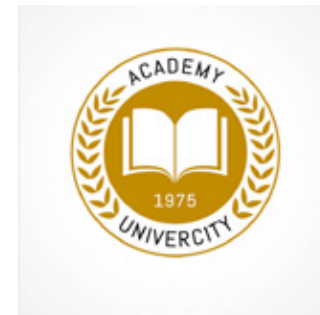
Tropical



Volcanic Rock



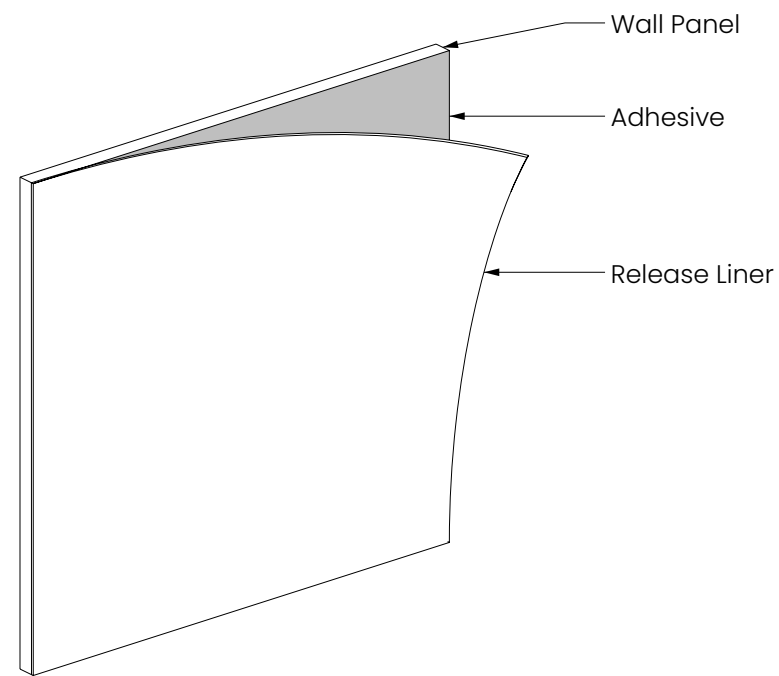
Custom Photography



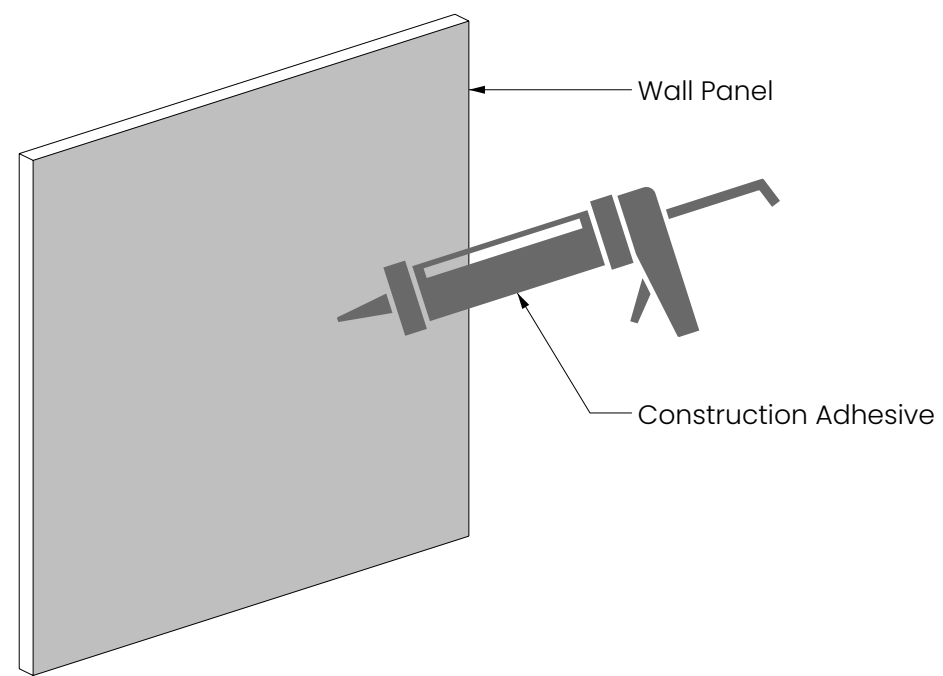
Custom Logos

Mounting Methods

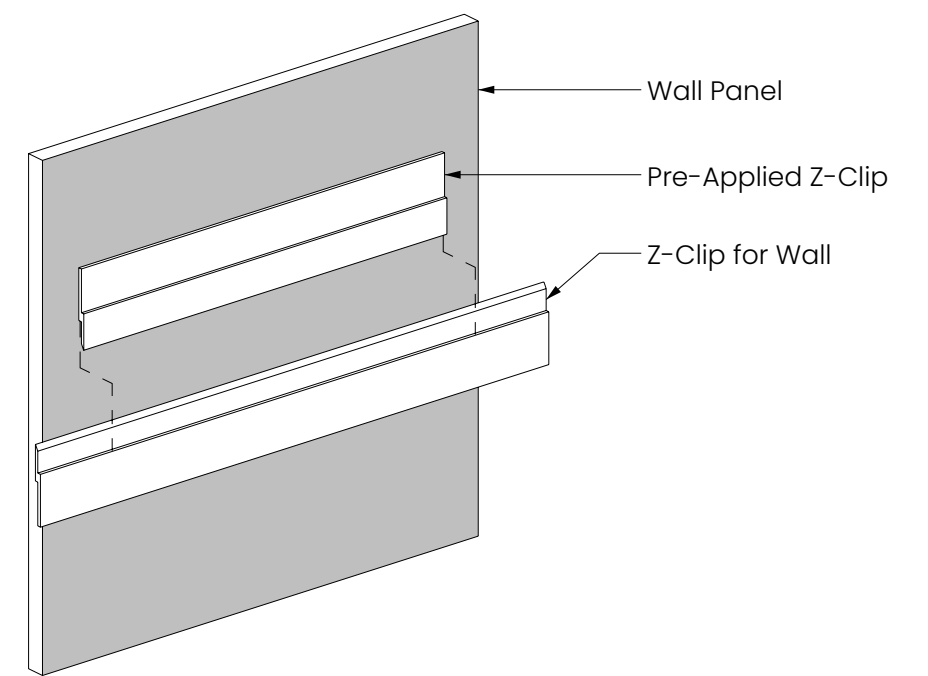
Adhesive Backing



Constructive Adhesive

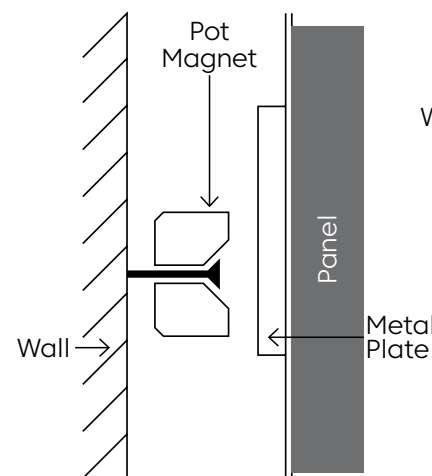


Z-Clip Mount

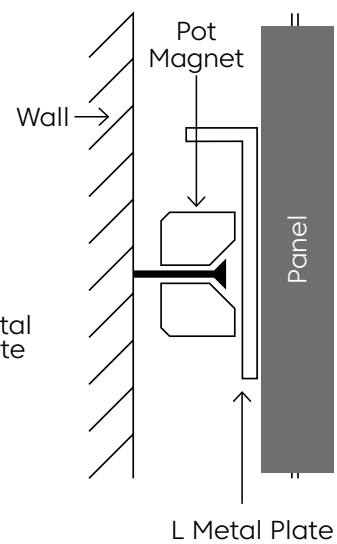


Pot Magnet Install

Wall Pot Magnet Install Metal Plate



Wall Pot Magnet Install L Plate + Metal Plate



L Plate Wall + Metal Plate Configuration

○ L Metal Plate × Metal Plate

